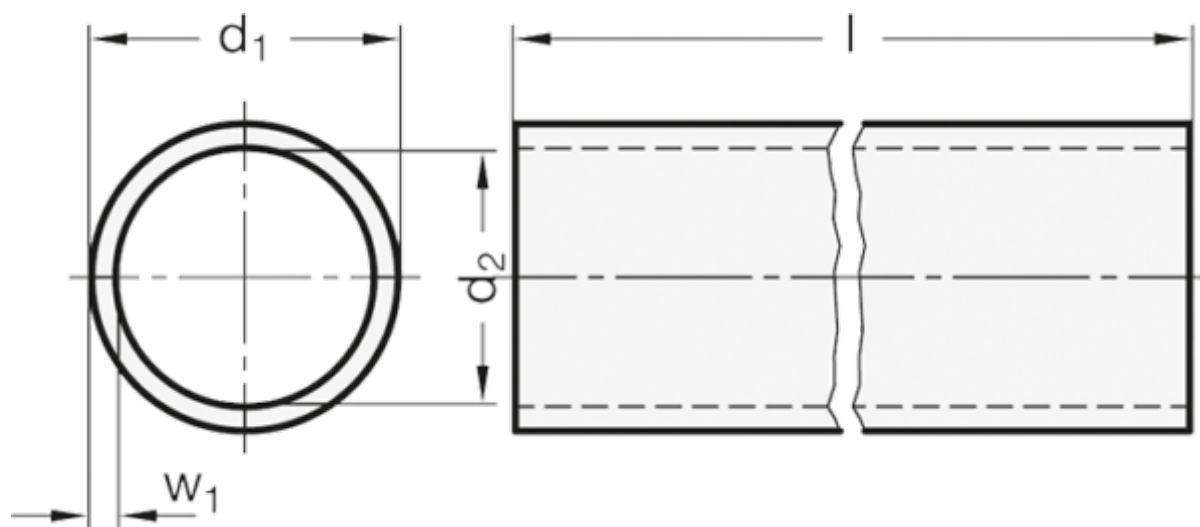


Article number: 20990NID10500BL

Description: E+G GN 990 Construction tube round  
GN 990-NI-D10-500-BL

## Measures



$d_1$  = D10  $\pm$ 0.1

$d_2$  = 7

$l \pm 0.5$  = 500

$w_1$  = 1.5

Weight in (g) = 158